





Product images are for illustration purposes only. Actual product(s) may vary.

| WHITE FINISH |                                                                                                                      |
|--------------|----------------------------------------------------------------------------------------------------------------------|
| MODEL No.    |                                                                                                                      |
| <b>2441</b>  |  <b>LEFT HAND DRAIN LOCATION</b>  |
| <b>2451</b>  |  <b>RIGHT HAND DRAIN LOCATION</b> |

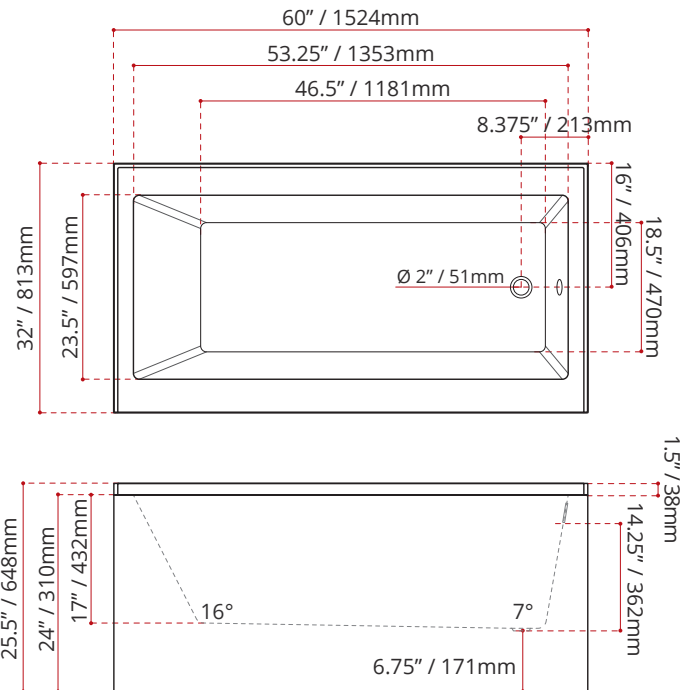
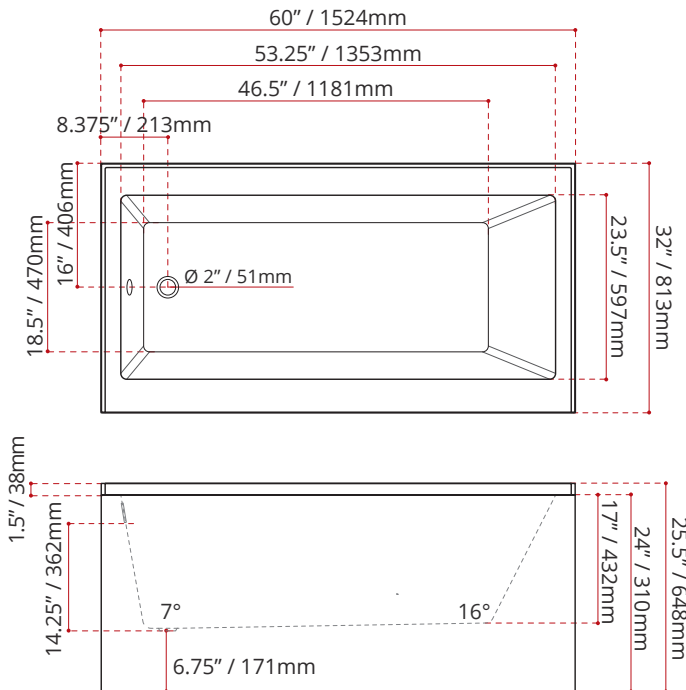
| DIMENSIONS                                                                                                                            | WATER DEPTH                         | CAPACITY                       |
|---------------------------------------------------------------------------------------------------------------------------------------|-------------------------------------|--------------------------------|
| <ul style="list-style-type: none"> <li>Length: 60" / 1524mm</li> <li>Width: 32" / 813mm</li> <li>Skirt Height: 24" / 610mm</li> </ul> | 14.25" / 362mm<br>Drain to overflow | 53 gal.<br>200 litres of water |

| PRODUCT INFORMATION:                                                                                                           |                                                                                                                                                                                    |
|--------------------------------------------------------------------------------------------------------------------------------|------------------------------------------------------------------------------------------------------------------------------------------------------------------------------------|
| <ul style="list-style-type: none"> <li>Modern style</li> <li>Plain skirt</li> <li>End drain</li> <li>Made in Canada</li> </ul> | <ul style="list-style-type: none"> <li>Above floor rough-in installation</li> <li>High gloss / Crack-resistant acrylic</li> <li>Complies with CSA &amp; IAPMO standards</li> </ul> |

| SHIPPING INFORMATION:                                                                                                           |                                                                                                                    |
|---------------------------------------------------------------------------------------------------------------------------------|--------------------------------------------------------------------------------------------------------------------|
| <ul style="list-style-type: none"> <li>Length: 62" / 1575mm</li> <li>Width: 34" / 864mm</li> <li>Height: 26" / 660mm</li> </ul> | <ul style="list-style-type: none"> <li>Net Weight: 35 kg / 77 lbs</li> <li>Gross Weight: 40 kg / 88 lbs</li> </ul> |

**MODEL NUMBER : 2441**  
(LEFT HAND DRAIN LOCATION)

**MODEL NUMBER : 2451**  
(RIGHT HAND DRAIN LOCATION)



DISCLAIMER: Measurements may vary ± 1/4" (Diagram Not to scale)

**CUSTOMIZE YOUR TUB**

*ALL UPCHARGE OPTIONS ARE MADE TO ORDER - NO REFUND - NO RETURN -*

| AVAILABLE CUSTOMIZATION OPTIONS                          | MODEL No.   |
|----------------------------------------------------------|-------------|
| 3/4" SET BACK WOOD APRON                                 | <b>C1</b>   |
| WOOD APRON REMOVABLE ACCESS PANEL                        | <b>C2</b>   |
| TEXTURED BOTTOM                                          | <b>C4</b>   |
| DOUBLE TILING FLANGE                                     | <b>C5</b>   |
| 3/4" SET BACK WOOD APRON +TEXTURED BOTTOM                | <b>C14</b>  |
| 3/4" SET BACK WOOD APRON + DOUBLE TILING FLANGE          | <b>C15</b>  |
| REMOVABLE ACCESS PANEL + TEXTURED BOTTOM                 | <b>C24</b>  |
| REMOVABLE ACCESS PANEL + DOUBLE TILING FLANGE            | <b>C25</b>  |
| TEXTURED BOTTOM + DOUBLE TILING FLANGE                   | <b>C45</b>  |
| 3/4" SET BACK WOOD APRON + TXRED BTM + DBL TILING FLANGE | <b>C145</b> |
| REMOVABLE ACCESS PANEL + TXRED BTM + DBL TILING FLANGE   | <b>C245</b> |

**JETTING OPTIONS**

*ALL EXPERIENCES ARE MADE TO ORDER - NO REFUND - NO RETURN -*

| MODEL No.  | DESCRIPTION                                                                                  |
|------------|----------------------------------------------------------------------------------------------|
| <b>E15</b> | 16 LATERAL AIR JETS (CHROME) +<br>1 ROUND LIGHT (WHITE) +<br>6 THIN LINE TURBO JETS (CHROME) |
| <b>E33</b> | 16 AIR ILLUSION JETS +<br>2 ROUND LIGHTS (WHITE) +<br>6 STANDARD THIN LINE JETS (WHITE)      |
| <b>E56</b> | 16 SANTE AIR JETS (WHITE) +<br>1 ROUND LIGHT (WHITE) +<br>6 STANDARD THIN LINE JETS (WHITE)  |
| <b>E75</b> | 16 ZEN AIR JETS (CHROME) +<br>2 ROUND LIGHTS (WHITE) +<br>6 SQUARE STANDARD JETS (CHROME)    |
| <b>M16</b> | 4 V-MASSEUSE +<br>16 AIR ILLUSION JETS +<br>2 ROUND LIGHTS (WHITE)                           |
| <b>M33</b> | 4 WHIRLPOOL V-MASSEUSE +<br>16 LATERAL AIR JETS (CHROME) +<br>1 ROUND LIGHT (WHITE)          |
| <b>062</b> | 6 REGULAR WHIRLPOOL WATER JETS<br>- BRUSHED NICKEL                                           |
| <b>032</b> | 16 SANTE AIR JETS (WHITE FINISH) +<br>1 ROUND LIGHT (WHITE FINISH)                           |

*FOR MORE EXPERIENCES, JETTING OPTIONS & ACCESSORIES  
PLEASE REFER TO THE JETTING GUIDE*

**HOW TO CREATE THE MODEL NUMBER**

When configuring a bathtub please follow the correct order of the configuration options.

**COLOUR OPTION + CUSTOMIZATIONS + JETTING OPTIONS**

Let's break down an example — Here is Model No.

**2441C45E56**

**2441**C45E56 (PSPACEAFR6032 LEFT HAND DRAIN WHITE FINISH)

2441**C45**E56 (TEXTURED BOTTOM + DOUBLE TILING FLANGE)

2441C45**E56** (JETTING OPTION)

PSPACEAFR6032SK LEFT HAND DRAIN WHITE FINISH + TEXTURED BOTTOM + DOUBLE TILING FLANGE + 16 SANTE AIR JETS (WHITE) + 1 ROUND LIGHT (WHITE) + 6 STANDARD THIN LINE JETS (WHITE)